

CHAPTER 7 : OXFORD MAXILIFT 255



Sunrise Medical is ISO 9001 certified, which ensures quality at all stages of the development and production of this hoist.

Contents

MODEL	SERIAL NO. RANGE	PAGE
OXFORD MAXILIFT 255	FROM MA 78529 TO DATE	7.3

IMPORTANT

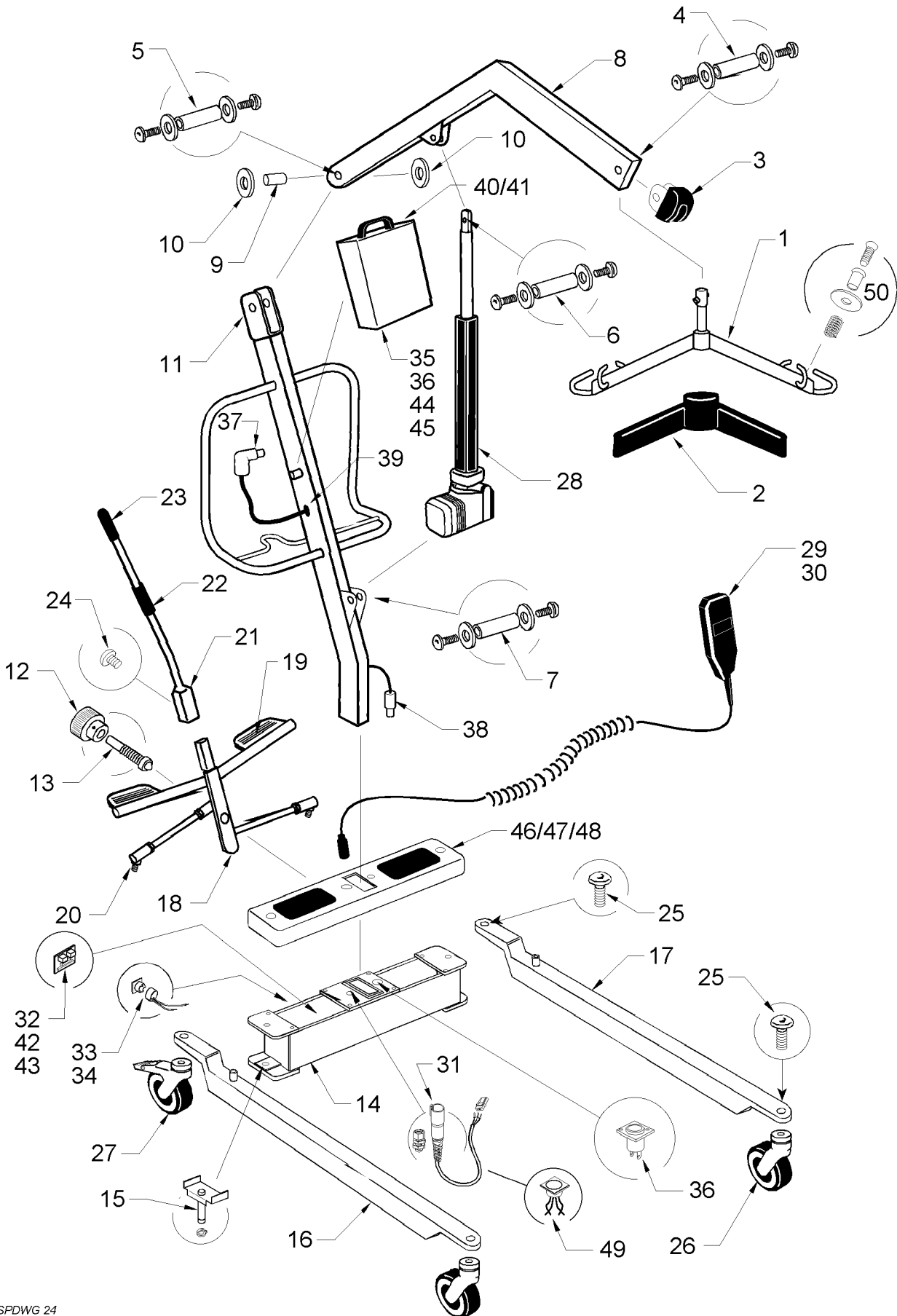
IT IS POTENTIALLY HAZARDOUS TO FIT OR USE ANY PARTS OTHER THAN GENUINE SUNRISE MEDICAL PARTS. THE COMPANY DISCLAIMS ALL LIABILITY FOR THE CONSEQUENCES OF SUCH USE, WHICH IN ADDITION VOIDS THE MACHINE WARRANTY.

THIS HOIST IS FOR THE CARRIAGE OF ONE PERSON AND MUST NOT BE USED FOR ANY OTHER PURPOSE.

OXFORD MAXILIFT 255



This illustration and accompanying text set out in this Document is the Property of SUNRISE MEDICAL LTD. and must not be copied or used for manufacturing, tendering or any other purpose without their permission.



SPDWG 24

OXFORD MAXILIFT 255

ITEM NO.	PART NO.	DESCRIPTION	QTY	SERIAL NO.
SERIAL NUMBERS FROM MD 78529 TO DATE				
1	808003.10043	SPREADER BAR ASSEMBLY COMPLETE	Kit	
2	EM-2993	SPREADER BAR COVER (BLACK)	1	
3	EM-2729	BOOM END CAP	1	
4	808003.10025	SPREADER BAR FULCRUM PIN COMPLETE	Kit	
5	808003.10044	BOOM/MAST FULCRUM PIN COMPLETE	Kit	
6	808003.10045	RAM/BOOM FULCRUM PIN COMPLETE	Kit	
7	808003.10046	RAM/MAST FULCRUM PIN COMPLETE	Kit	
8	HD-3053	BOOM ONLY	1	
9	EM-2644	BOOM BEARING	1	
10	HD-3223	BOOM WASHER (BLACK)	1	
11	HD-3054	MAST ONLY	1	
12	322.42040	MAST LOCKING KNOB	1	
13	EM-2468	MAST LOCKING SPINDLE	1	
14	808003.10050	CROSSMEMBER ASSEMBLY	Kit	
15	808003.10029	LEG PIVOT PIN	Kit	
16	HD-3210	LEG (RIGHT) ONLY	1	
17	HD-3211	LEG (LEFT) ONLY	1	
18	808003.10047	LEG ADJUSTMENT PLATE AND FOOT PEDAL	Kit	
19	HD-3362	FOOT PAD	2	
20	363.10010	LEG ADJUSTMENT LINKAGE	1	
21	808003.10048	LEG ADJUSTMENT HANDLE COMPLETE	Kit	
22	808003.10012	LEG ADJUSTMENT HANDLE ROLLER AND FIXINGS	Kit	
23	323.12040	LEG ADJUSTMENT HANDLE GRIP	1	
24	211.43350	LEG ADJUSTMENT HANDLE RETAINING SCREW	1	
25	808003.10049	CASTOR FIXING	Kit	
26	311.51140	FRONT CASTOR - SINGLE 125mm PLAIN	1	
27	311.52150	REAR CASTOR - SINGLE 125mm BRAKED	1	
28	338.00042	EMS ACTUATOR (400mm STROKE)	1	
29	14042	HANDCONTROL (8 PIN DIN PLUG)	1	
30	EM-3629	HANDCONTROL (3 PIN AXL PLUG)	1	
31	13566	HAND CONTROL SOCKET (8 PIN DIN)	1	
32	200001.10558	CONTROL PCB - CLARKES	1	
33	215-032	EMERGENCY DESCENT SWITCH (PUSH BUTTON)	1	
34	333.00020	EMERGENCY DESCENT SWITCH (ROCKER)	1	
35	808003.10017	EMERGENCY STOP SWITCH COMPLETE	Kit	
36	332.00085	POWER/CHARGER SOCKET (4 PIN CLIFF)	1	
37	332.00090	POWER PLUG (4 PIN CLIFF - ANGLED)	1	
38	332.00095	POWER PLUG (4 PIN CLIFF - STRAIGHT)	1	
39	331.00009	POWER CABLE GLAND	1	
40	TS-2923	POWER PACK COMPLETE (WHITE)	1	
41	337.00050	BATTERY 12VDC 3.2AHR	1	
42	336.00023	CONTROL PCB PLASTIC STANDOFF	2	
43	336.00016	CONTROL PCB EDGE CONNECTOR	1	
44	808003.10018	FUSEHOLDER COMPLETE	Kit	
45	335.00020	FUSE 25A	10	
46	EM-3488	CROSSMEMBER COVER (8 PIN DIN HANDCONTROL)	1	
47	HD-3224	CROSSMEMBER COVER (3 PIN AXL HANDCONTROL)	1	
48	808003.10038	CROSSMEMBER COVER FIXINGS	Kit	
49	EL-3711	HANDCONTROL SOCKET (3 PIN AXL)	1	
50	808003.10013	SLING RETAINER ASSEMBLY	Kit	

This page is intentionally blank